



Izerwaren  
Order #

316 Stainless steel heavy duty track for sliding doors.

**Maximum door weight system #5:  
33 lbs. using 2 carts;** carts placed at 36 inches  
distance.  
For heavier doors: see page 5-4-1 and 5-4-2,  
Finish: rolled 316 stainless steel

**Overhead Sliding Door Track  
distance between overhead and  
door bracket: 1 1/2" or 38 mm**

54.211 **Rails #5,** 21 x 21 x 1 mm  
316 stainless steel  
specify length, increments of one meter

54.251 **Rollers #5(carts)**  
4 nylon wheels on stainless steel bearings with  
M 8 bolt 316 stainless steel  
maximum weight per cart: 16.5 lbs

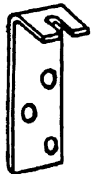
54.259 **End stop #5** with rubber buffer  
316 stainless steel



54.256 **Bracket top mounted #5**  
100 x 20 x 2 mm  
316 stainless steel

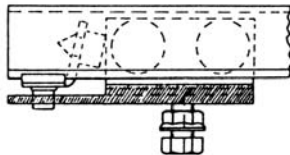


54.258 **Bracket side mounted #5**  
82 x 40 x 22 x 3 mm  
316 stainless steel

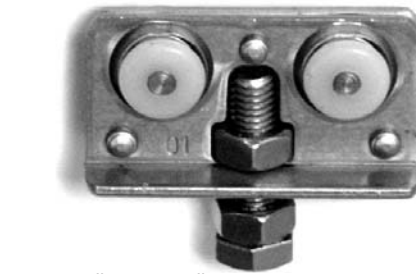
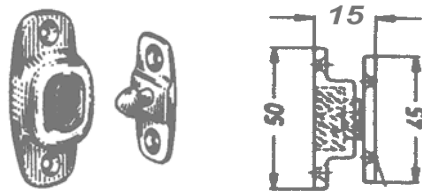


54.221 **Rail bracket, 90 degree, #5**  
for mounting rail against side wall  
304 stainless steel

54.260 **Doorholder, plastic #5**  
To keep door inside pocket, works with  
Endstop # 54.259 only



31.118 **Doorholder, 316 stainless steel #31.118**  
Distance 15 mm / 5/8  
Mounts against the back edge of door to hold door in  
pocket



System #5 roller #54.251; nylon wheels,  
stainless steel bearings



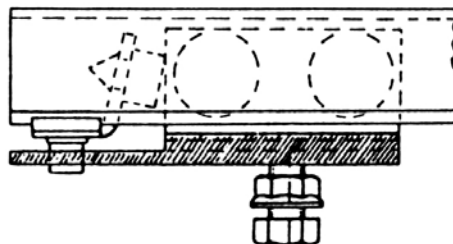
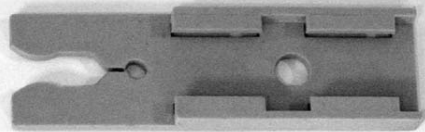
endstop #54.259,



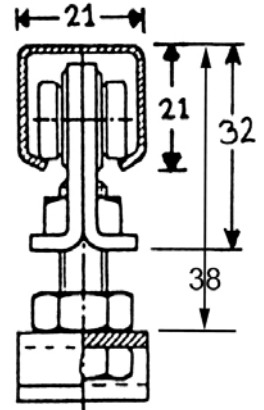
Top mounted door bracket #54.256;



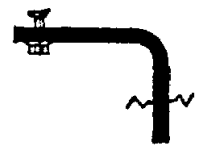
Side mounted door bracket #54.258



**Keeper, plastic #54.260**  
To keep door inside pocket, works with endstop  
#54.259 only



rail system #5



wallbracket #5  
#54.221



#54.281 bottom guide wheel  
for sliding door. Plate  
stainless steel 23 x 100 mm;  
4 mm thick.  
Diameter nylon wheel:  
19 mm or 3/4 inch.



Depicted with aluminum U  
shaped profile 1 x 1 inch.  
Wall thickness: 1/8 inch

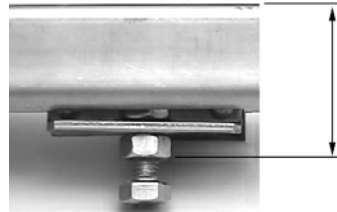


Izerwaren order #

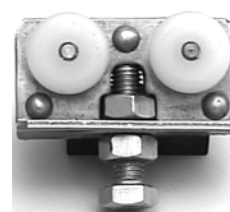
316 Stainless steel heavy duty track for sliding doors.

**Maximum door weight system #7: 165 lbs. using 2 carts;** carts placed at 36 inches distance.  
For different weight doors: see page 5-4 and 5-4-2,  
Finish: rolled 316 stainless steel

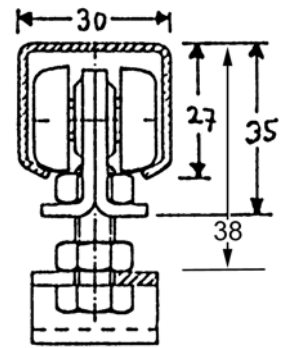
**Overhead Sliding Door Track #7**  
Minimum distance between overhead and door: 1 1/2" or 38 mm



Track #7 #54.717



Roller #7 #54.751



rail system #7

54.717 **Rails #7**, 30 x 27 x 2 mm  
316 stainless steel  
specify length, increments of one meter

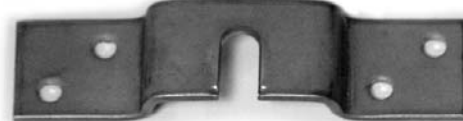
54.751 **Rollers #7(carts)**  
4 nylon wheels on stainless steel bearings with M8 bolt. 316 stainless steel  
maximum weight per cart: 82.5 lbs

54.759 **End stop #7**with rubber buffer  
316 stainless steel



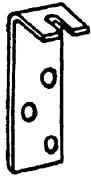
#7 Endstop #54.759

54.760 **Bracket top mounted #7**  
100 x 20 x 2 mm  
316 stainless steel



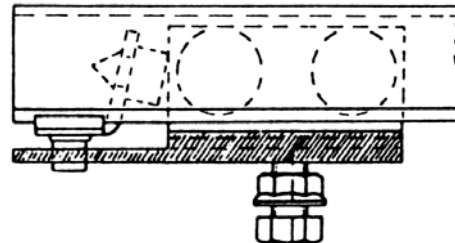
#7 Top mounted door bracket #54.760

54.758 **Bracket side mounted #7**  
82 x 40 x 22 x 3 mm  
316 stainless steel



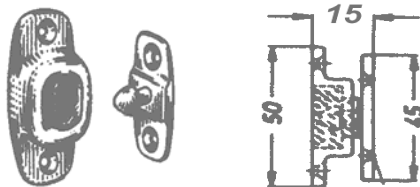
#7 Side mounted door bracket #54.758

54.756 **Doorholder, plastic #7**  
To keep door inside pocket, works with Endstop# 54.759 only



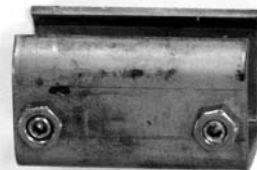
#7 Keeper, plastic #54.756  
To keep door inside pocket, works with endstop only

31.118 **Doorholder, 316 stainless steel #31.118**  
Distance 15 mm / 5/8  
Mounts against the back edge of door to hold door in pocket

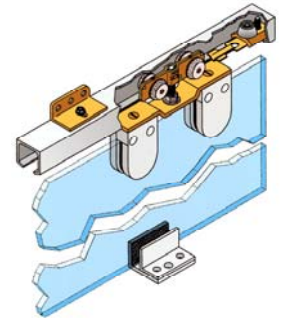


54.722 **Rail to wall bracket , 90 degree, #7**  
for mounting rail against side wall  
304 stainless steel

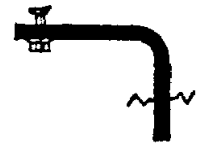
54.234 **Connecting bracket#7** for rail #7  
With set screws



#7 Connecting bracket #54.234 for rail #54.717



rail system #7 with glass clamping brackets #85.S71



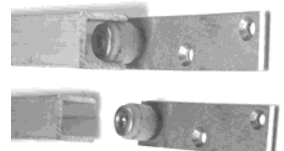
#7 Wallbracket #54.722



Connecting bracket #54.234 for rail #7  
With set screws



#54.281 bottom guide wheel for sliding door. Plate stainless steel 23 x 100 mm; 4 mm thick.  
Diameter nylon wheel: 19 mm or 3/4 inch.



Depicted with aluminum U shaped profile 1 x 1 inch. Wall thickness: 1/8 inch



Izerwaren order #

316 Stainless steel heavy duty track for sliding doors.

**Maximum door weight system #8: 440 lbs. using 2 carts;** carts placed at 36 inches distance.  
For different weight doors: see page 5-4 and 5-4-1,  
Finish: rolled 316 stainless steel

**Overhead Sliding Door Track #8**  
**Minimum distance between overhead and door: 3 1/4" or 82 mm**

54.815 **Rails #8, 40 x 37 x 3 mm**  
316 stainless steel  
specify length, increments of one meter

54.851 **Rollers #8(carts)**  
4 stainless steel wheels on stainless steel bearings with M12 bolt  
316 stainless steel  
maximum weight per cart: 220 lbs

54.859 **End stop #8 with rubber buffer**  
316 stainless steel

54.860 **Bracket top mounted #8**  
160 x 35 x 4 mm  
316 stainless steel

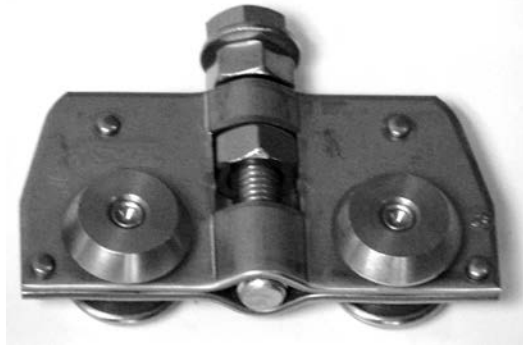
54.858 **Bracket side mounted #8**  
82 x 40 x 22 x 3 mm  
316 stainless steel

54.821 **Rail to wall bracket #8, 90 degree,**  
for mounting rail against side wall  
316 stainless steel

54.825 **Wall bracket #8** two parts  
sideways adjustable.

54.835 **Ceiling or overhead bracket #8**

54.281 **Bottom guide wheel 19 mm / 3/4"**



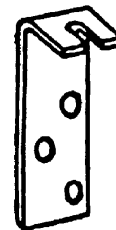
Roller #8 #54.851;  
316 stainless steel with stainless steel bearings



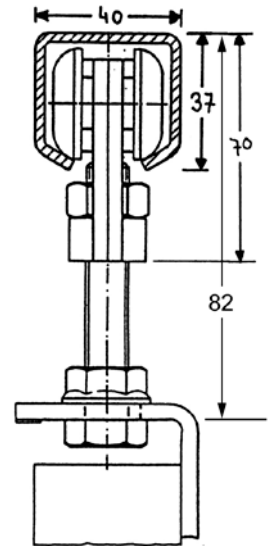
#8 Endstop #54.859



#54.860 No.8 Top mounted door bracket  
160 x 35 x 4 mm or 6.25 x 0.825 x 0.25 inch



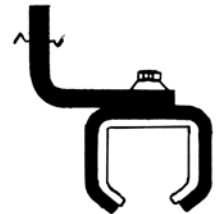
#8 Side mounted door bracket #54.858  
140 x 50 x 50 x 5 mm; 5 1/2 x 1 5/8 x 1 5/8 x 7/32 inch



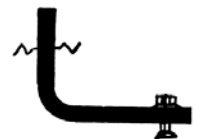
System #8 sliding track



No. 8 overhead bracket #54.835



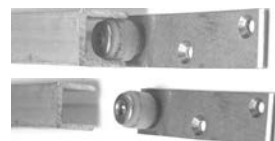
No. 8 wall bracket 54.825  
sideways adjustable  
two parts



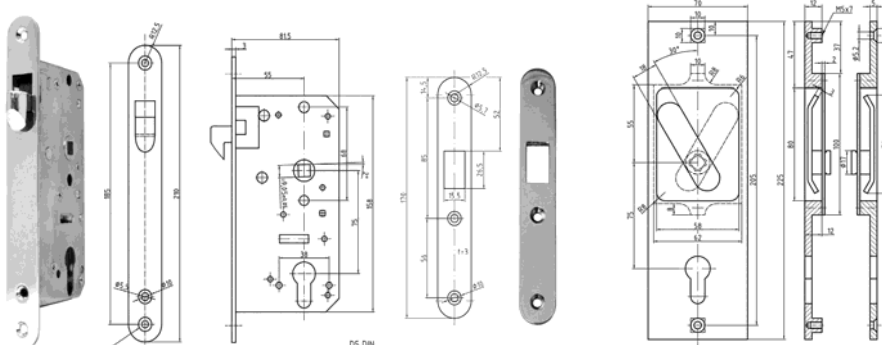
#54.821  
No. 8 rail to wall bracket



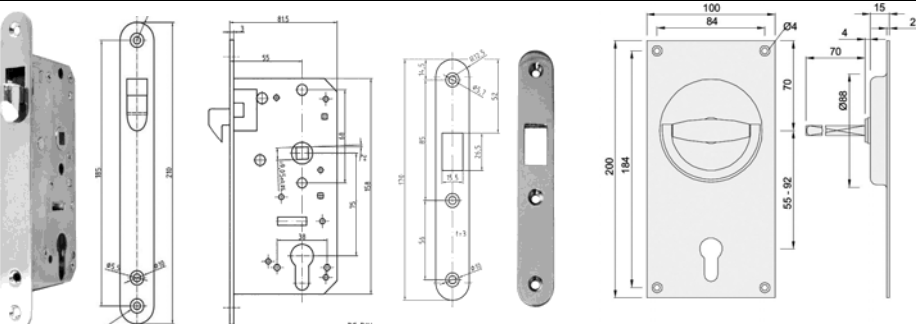
#54.281 bottom guide  
for sliding doors. Stainless steel.  
Plate: 4 x 23 x 100 mm;  
Diameter nylon wheel:  
19 mm or 3/4 inch.  
Works with aluminum U channel



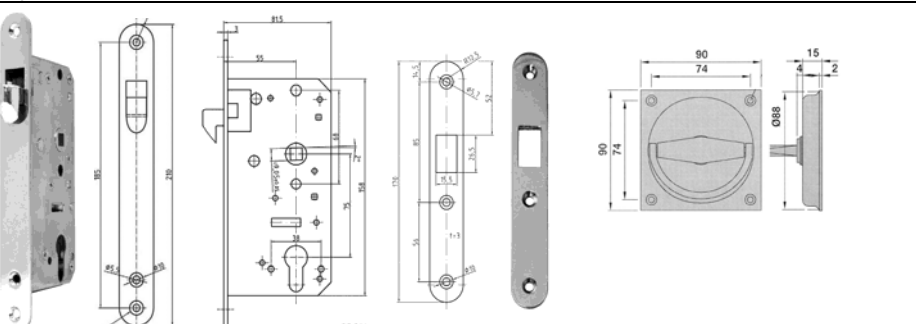
Depicted with aluminum U shaped  
profile 1 x 1 inch.  
Wall thickness: 1/8 inch



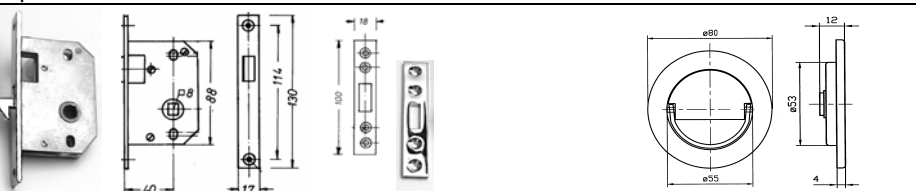
#13.81Z6 SET Complete Sliding Entry Mortise Lock Set. 55 mm backset;  
Parts separate: Sliding door lock with strike plate #13.81Z; Profile cylinder keyway 05included; Flush Trim Set #13.610Z; dimensions: 2 3/4 x 8 7/8 inch 8; Plates Protrude from surface door 1/4 inch; **MINIMUM DOOR THICKNESS: 1 3/4 INCH or 44 mm.**



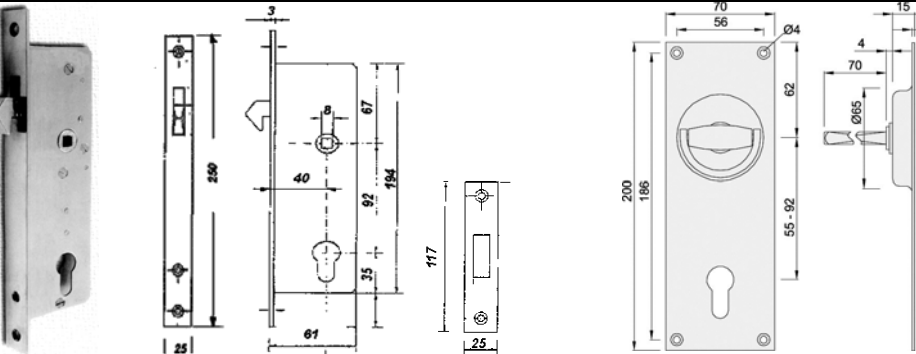
#13.81Z8 SET Complete Sliding Entry Mortise Lock Set. 55 mm backset  
Parts separate: Sliding door lock with strike plate #13.81Z;; Stainless steel Flush lever on plate #51.004 ; Flush Set protrudes from surface door: 1/8 inch;  
Size plate: 3 15/16 x 7 7/8 inch; **MINIMUM DOOR THICKNESS: 2 1/8 INCH OR 53 MM**



#13.81F8 SET Complete Sliding Passage Mortise Lock Set. 55 mm backset.  
Parts separate: Sliding door latch with strike plate #13.81F; Stainless steel Flush lever on plate #51.016 ; Flush Set protrudes rom surface door: 1/8 inch;  
Size plate: 3 9/16 x 3 9/16 inch; **MINIMUM DOOR THICKNESS: 2 1/8 INCH OR 53 MM**



Set: #51.0891F; Flush Sliding Passage Set. 40 mm backset. With 316 Stainless steel Flush Door Lever #51.391; 80 mm diameter.  
**DOOR THICKNESS: 1 1/2" OR 38 MM**



Set: #51.01525Z; Flush Sliding Entry Set with Flush Aluminum. 40 mm backset. Door Lever #51.5001A on plate 70 x 200 mm, Stainless steel Lock with strike #14.152; **DOOR THICKNESS: 2 1/8" OR 52 MM**







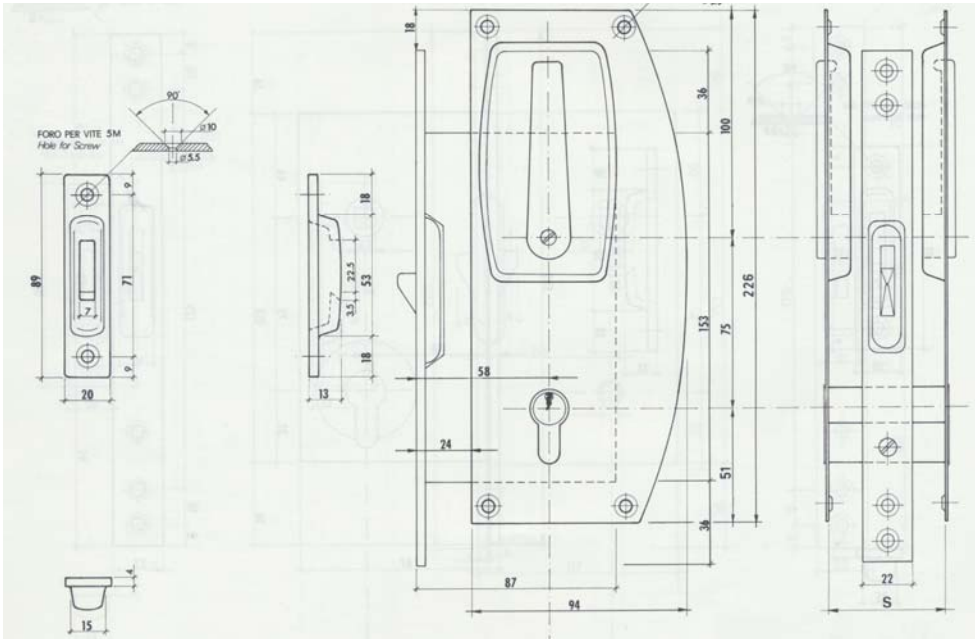
#18.3786 SET Entry Sliding door lock with Profile cylinder and strike box  
 Min. door thickness: 38 mm or 1 1/2 inch



#18.3838 Privacy Sliding Door lock with strike plate  
 min. door thickness: 25 mm



#18.3796 Passage Sliding door lock with strike plate  
 min. door thickness: 25 mm



#18.3786 Entry Lock set with Profile Cylinder keyway. 60 mm backset  
 S = Minimum door thickness is 32 mm or 1 1/2 inch.  
 S2 = Maximum door thickness for the standard keyway: 1 3/4 inch  
 For thicker doors please specify door thickness.  
 Stainless steel plates with brass parts.  
 Strike box brass chrome plated



Entry set #18.3448  
 With 2 skeleton keys  
 Minimum Door thickness  
 25 mm or 1 inch

**R & C SWINGING DOOR LOCKS  
 PLEASE CHECK WITH OUR OFFICE**



#18.3372 strike box for entry lock only



#18.3447 Strike plate for privacy lock #18.3838 and passage lock #18.3796



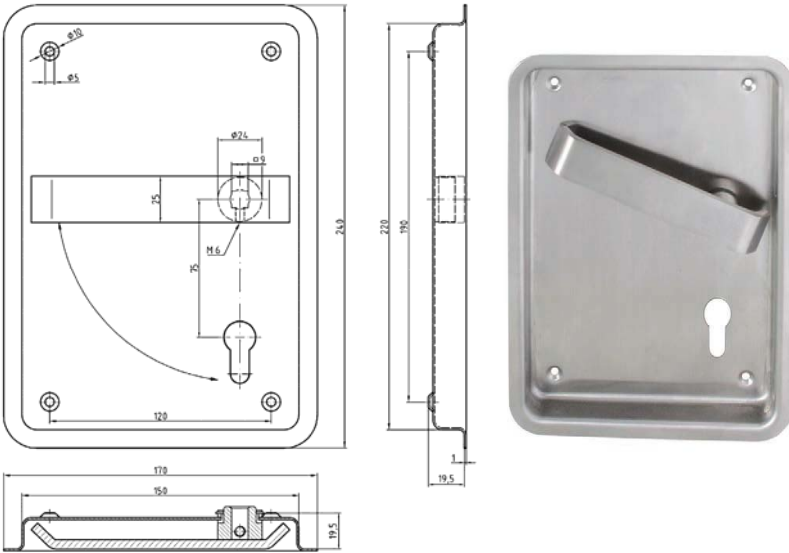
Izerwaren  
Order  
number

- High quality German 304 Stainless Steel Flush door lever handles for full size mortise locks with a min. backset of 55 mm
- Finish: Satin stainless steel or mirror polished stainless steel.

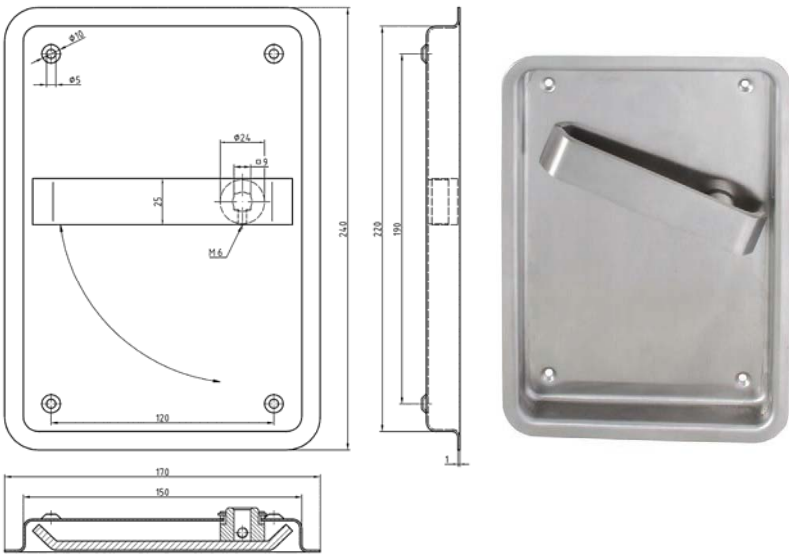
**FOR 2 3/4 INCH DOOR THICKNESS**

**53.653 Flush Plate with Lever, for use with entry set with Profile Cylinder**

304 stainless steel  
 Plate 240 x 170 mm;  
 Build in: 220 x 150 mm  
 Build in depth: 20mm  
 Finish: satin or polished stainless steel  
 With 8 x 8 mm or 9 x 9 mm square spindle

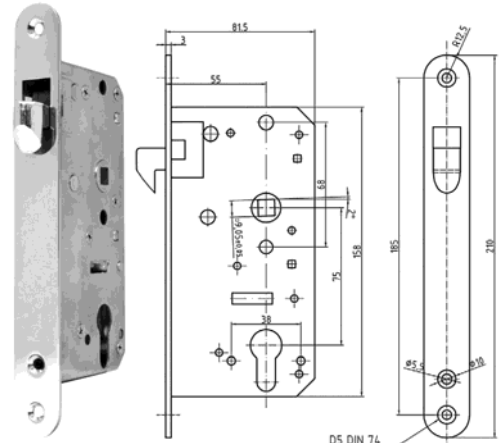


#53.653 Flush plate with lever. Plate 240 x 170 mm;  
 Build in depth: 20mm  
 Satin or polished stainless steel

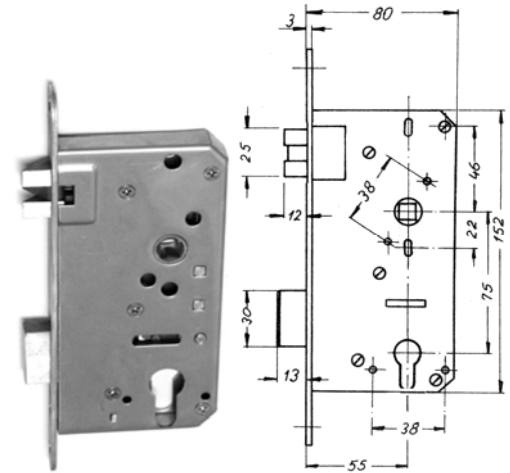


#53.659 Flush plate with lever. Passage function  
 Plate 240 x 170 mm;  
 Build in depth: 20 mm  
 Satin or polished stainless steel

NOTE: Lever not separately available  
 Only available as set with flush plates.  
 Similar lever for separate use: #12.53F on page I-1-2



- 13.81Z Use with Entry Sliding Pocket Door Lock  
 C. spindle hole to C. key hole: 75 mm  
 Case: 80 mm x 152 mm x 16 mm thick  
 Front plate lock: 210 x 25 mm  
 For 9x9 mm spindle /door lever handles  
 For profile cylinder key/key or knob/key
- 13.81S Strike plate (stainless, square corners)  
 Strike plate (brass, round corners)



14.37Z Entry Swinging Mortise lock; 55 mm backset  
 Stainless steel.

14.213 Entry strike plate

- 53.659 **Flush plate** with lever  
 Passage function  
 304 stainless steel  
 Plate 240 x 170 mm;  
 Build in: 220 x 150 mm  
 Build in depth: 20 mm  
 Finish: satin or polished stainless steel  
 For 8 x 8 mm or 9 x 9 mm square spindle



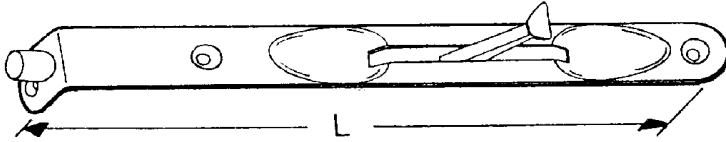


Izerwaren  
Order  
number

- High quality flush bolts
- Finish: Satin or polished stainless steel
- Brass flush bolts:
  - Finish: polished brass (un-lacquered)
  - polished chrome plated brass
  - satin chrome plated brass
  - custom finish



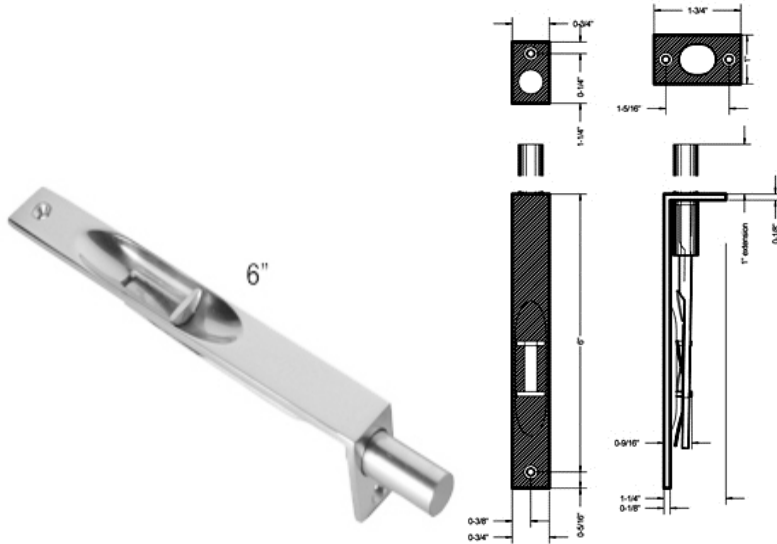
#55.509 304 stainless steel flush bolts size: 20 x 250 mm; depth: 50 mm  
Positive locking in open and closed position



#55.509 Flush bolt size: 20 x 250 mm (3/4" x 9 7/8")

55.509 **Flush Bolt, heavy duty stainless steel**  
304 stainless steel  
Dimensions: 20 mm x 250 mm,  
depth: 50 mm; throw: 15 mm  
Finish: Satin or polished stainless steel

55.524 **Flush Bolt, heavy duty stainless steel**  
304 stainless steel  
Dimensions: **20 mm x 400 mm**  
depth: 50 mm; throw: 15 mm  
Finish: Satin or polished stainless steel



#55.264 Flush Bolt, medium duty; brass, with some steel parts  
Operates by push lever; NOT positive locking  
Dimensions: 18 mm x 152 mm; depth: 33 mm; throw: 25 mm  
Flush bolt 3/4"x 6"; depth: 1 5/16"; throw: 1" Bolt diameter.  
Finish: polished brass and polished or satin chrome; interior use

55.264 **Flush Bolt, medium duty**  
brass, with some steel parts  
Operates by push lever; not positive locking  
Dimensions: 18 mm x 152 mm;  
depth: 33 mm; throw: 25 mm  
(3/4" x 6" x 1 5/16"; throw: 1")  
Finish: polished or satin chrome  
interior use



#55.668 series flush bolt 3/4"x 6"; depth: 1 5/16"; throw: 5/8;  
Solid brass with stainless steel pins and springs.  
**Positive locking** in open or closed position  
Marine grade.

55.668 **Flush Bolt, medium duty**  
brass, with stainless steel parts  
Positive locking in open or closed position  
Dimensions: 18 mm x 152 mm;  
depth: 33 mm; throw: 15 mm  
(3/4" x 6" x 1 5/16"; throw: 5/8")  
Finish: polished or satin chrome



#55.3251 flush bolt 102 x 15 mm; polished brass Bolt: 8 mm diameter  
#55.3252 flush bolt 102 x 15 mm; polished chrome Throw: 14 mm  
Operates by push lever; not positive locking

55.3251 **Flush Bolt, light duty brass**  
55.3252 **Flush Bolt, light duty chrome**  
Operates by push lever; not positive locking  
Dimensions:  
15 x 102 mm, polished brass  
15 x 102 mm, polished chrome  
Bolt: 8 mm diameter, throw: 14 mm